



# Installation Manual

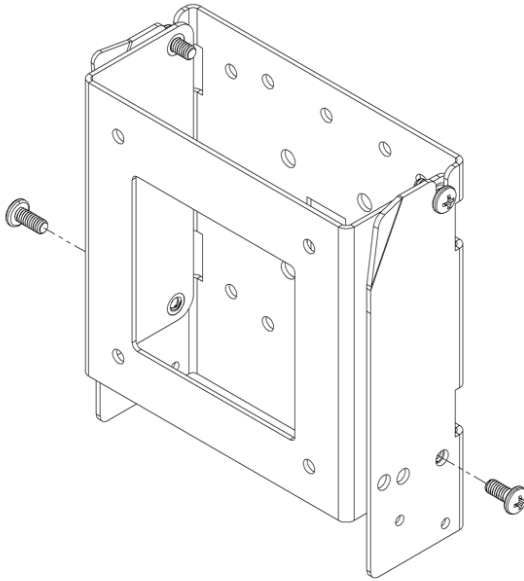


7361 Airport Fwy  
Richland Hills, Texas  
76118  
800.648.4452  
[www.amltd.com](http://www.amltd.com)

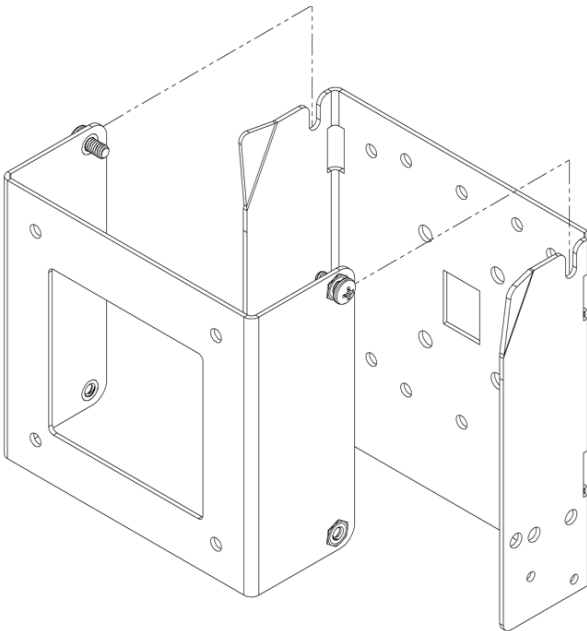


**AML ADJUSTABLE ANGLE VESA 75 BRACKET (ACC-0794)**

REMOVE THE 2 BOTTOMS SCREWS, DO NOT DISCARD

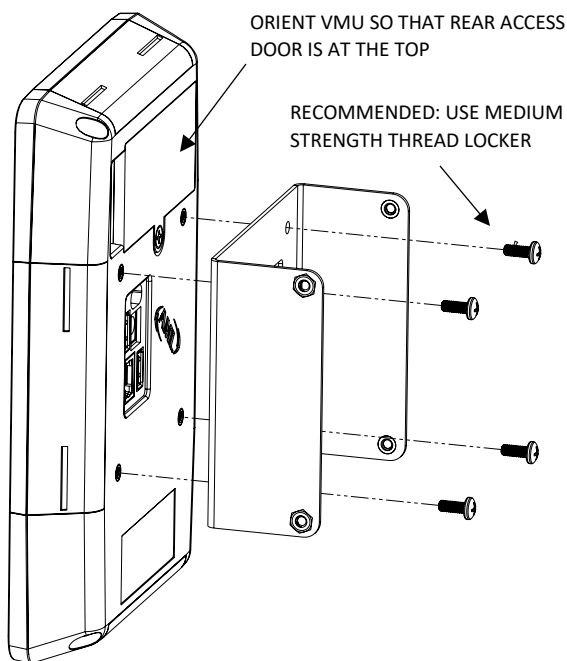


UNHOOK THE FRONT PANEL FROM REAR PANEL WITH  
AN UPWARD MOTION, AS SHOWN

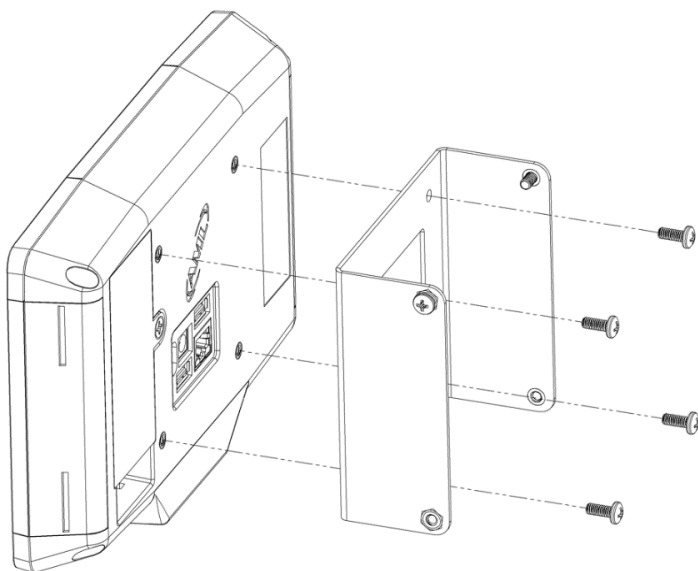


## BRACKET INSTALLATION: VMU IN PORTRAIT MODE

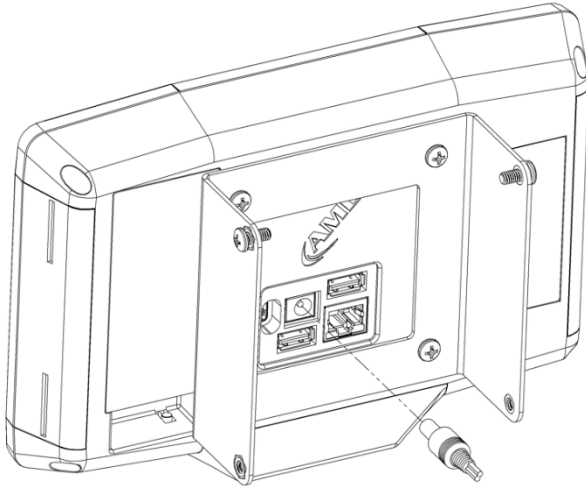
USE M4 SCREWS PROVIDED WITH DEVICE



## BRACKET INSTALLATION: VMU IN LANDSCAPE MODE



**PLUG IN POWER (5V), AND OTHER PERIPHERALS AS NEEDED**



**WIRE THE DC CABLE PROVIDED WITH CONVERTER KIT TO THE +VOUT (RED WIRE)  
AND -VOUT (BLACK WIRE) OF THE CONVERTER**

**YOU MUST USE A DC POWER CONVERTER KIT TO CONVERT  
VEHICLE POWER (12 OR 48V) DOWN TO THE 5V REQUIRED  
BY THE VMU**

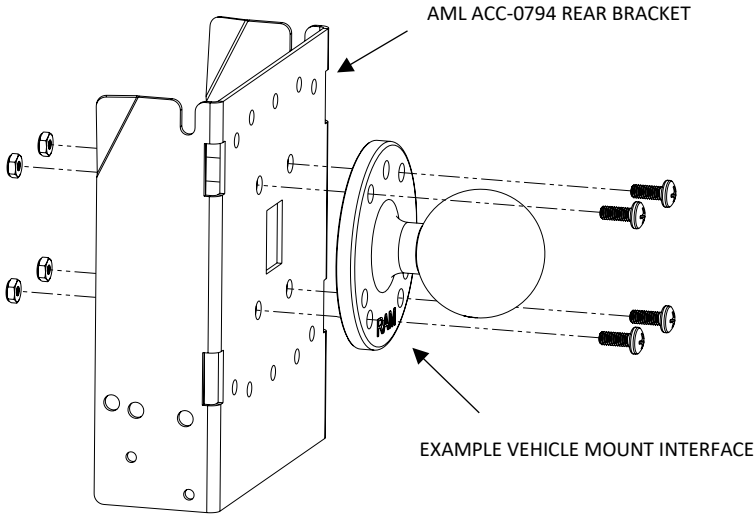
|                                   |  |
|-----------------------------------|--|
| If the vehicle's power system is: | Use this DC Power Converter Kit (converter + cable): |
| 9 to 36 VDC                       | PWR-5V4ADC24-06                                      |
| 18 to 75 VDC                      | PWR-5V4ADC48-06                                      |

**WIRE +Vin AND -Vin OF  
CONVERTER TO VEHICLE'S 24V  
OR 48V SYSTEM**

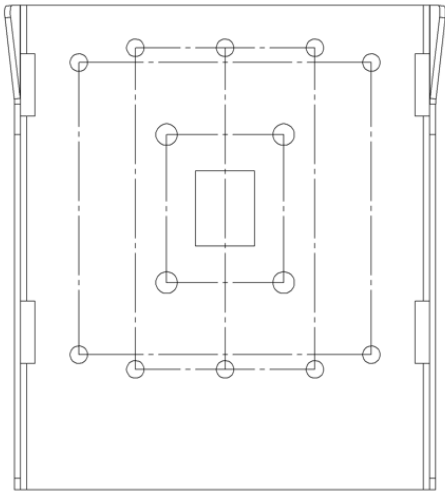


**SECURE AML ACC-0794 REAR BRACKET TO A VEHICLE MOUNT INTERFACE (EXAMPLE SHOWN HERE)**

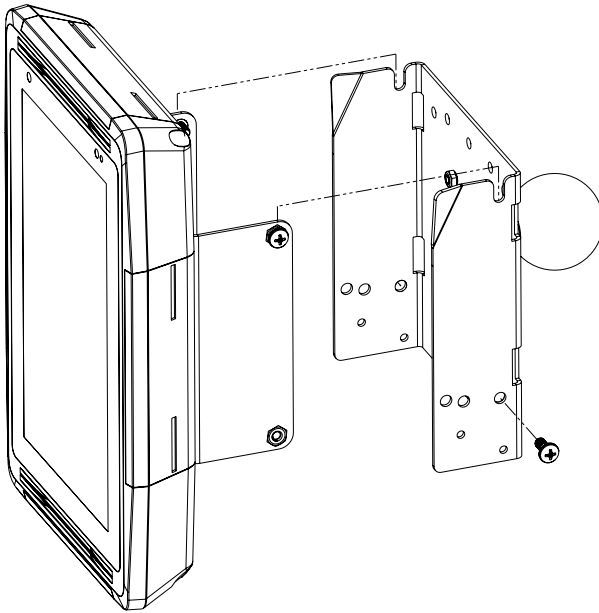
**USE #8 OR M4 HARDWARE (MOUNT AND HARDWARE NOT INCLUDED)**



**ACC-0794's REAR BRACKET FEATURES AMP, GANG, AND VESA 75 PATTERNS, IT CAN ALSO BE SECURED WITH STRAPING USING THE PROVIDED SIDE SLOTS**



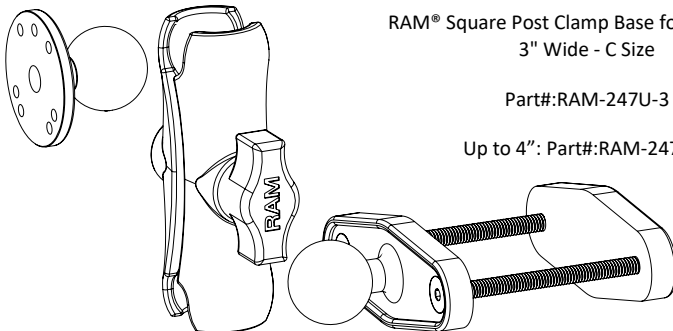
HOOK THE DEVICE AND FRONT BRACKET ONTO THE REAR BRACKET, AS SHOWN. RE-INSTALL THE TWO BOTTOM SCREWS AT DESIRED ANGLES (0 – 10 – 15 DEGREE POSITIONS AVAILABLE)



RECOMMENDED HARDWARE TO SECURE FIREBIRD VMU TO A FORKLIFT. THIS HARDWARE PROVIDES VIBRATION DAMPENING

RAM® Double Socket Arm - C Size  
Part#:RAM-201U-B

RAM® Round Plate with Ball - C Size  
Part#:RAM-202U



RAM® Square Post Clamp Base for Posts up to 3" Wide - C Size

Part#:RAM-247U-3

Up to 4": Part#:RAM-247U-4

# Support & Repair Services



## **AML Technical Support Team**

AML technical phone support is toll-free and pain-free. Speak with a US-based AML employee trained to answer your question and do everything possible to resolve any issues that might arise.

**877-842-3990 Mon-Fri 8:00 to 5:00 CST**

If your Firebird VMU is in need of repairs, you may request an RMA number (Return Material Authorization) by calling **877-842-3990**, between 8:00 am and 5:00 pm, (CST) Monday-Friday.

You may also request an RMA number online at:

**<https://www.amltd.com/RMA-Request>**

