



Installation Manual

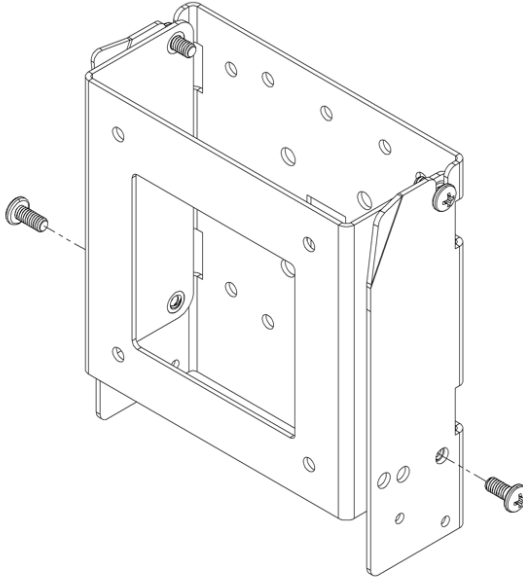


2190 Regal Parkway
Euless, Texas 76040
800.648.4452
www.amltd.com

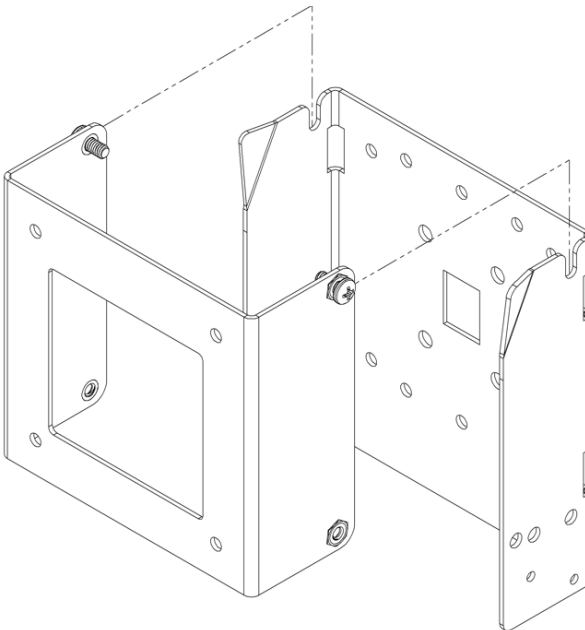


AML ADJUSTABLE ANGLE VESA 75 BRACKET (ACC-0794)

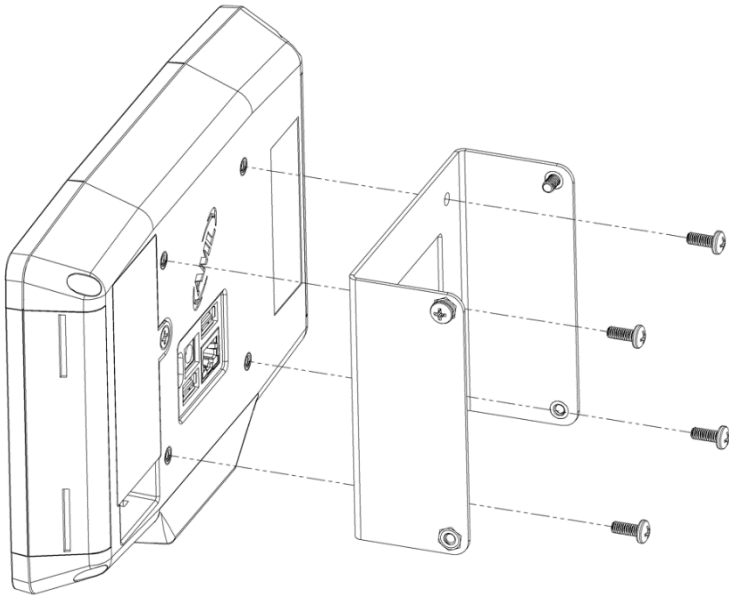
REMOVE THE 2 BOTTOMS SCREWS, DO NOT DISCARD



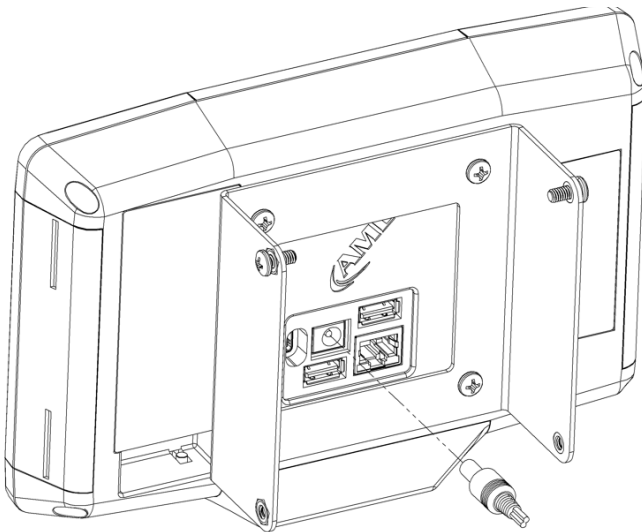
UNHOOK THE FRONT PANEL FROM REAR PANEL WITH
AN UPWARD MOTION, AS SHOWN



**SECURE BRACKET FRONT PANEL TO DEVICE USING THE
M4 SCREWS PROVIDED WITH THE DEVICE.**

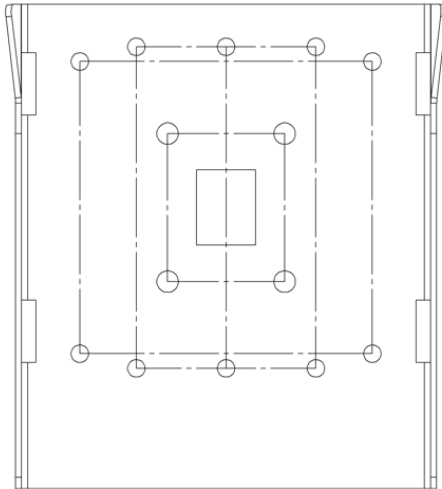
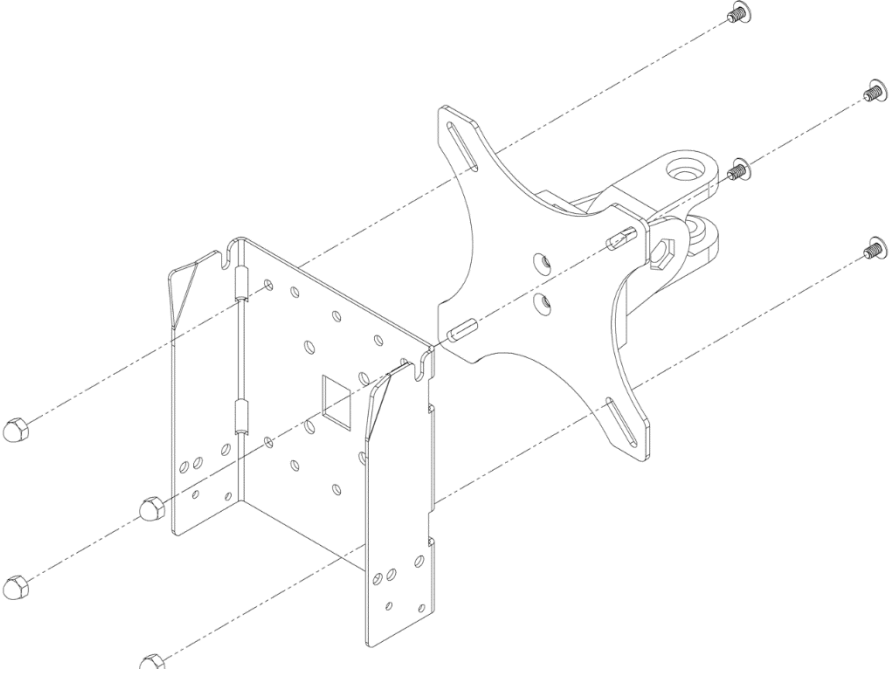


PLUG IN POWER OR OTHER ACCESSORIES AS NEEDED

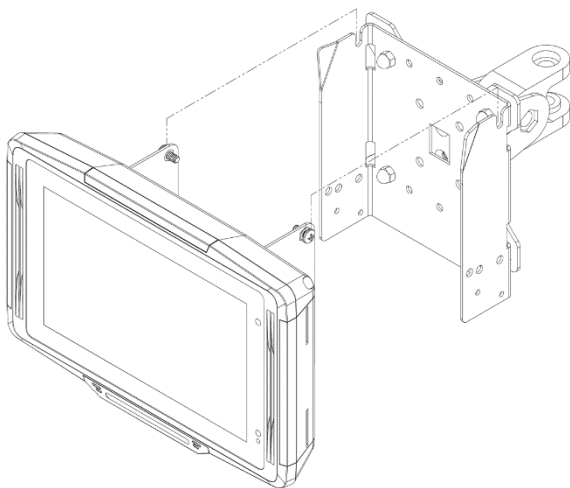


SECURE BRACKET REAR PANEL TO THE DESIRED MOUNT
(EXAMPLE VESA 75 ARM MOUNT SHOWN HERE).

USE #8 OR M4 HARDWARE.

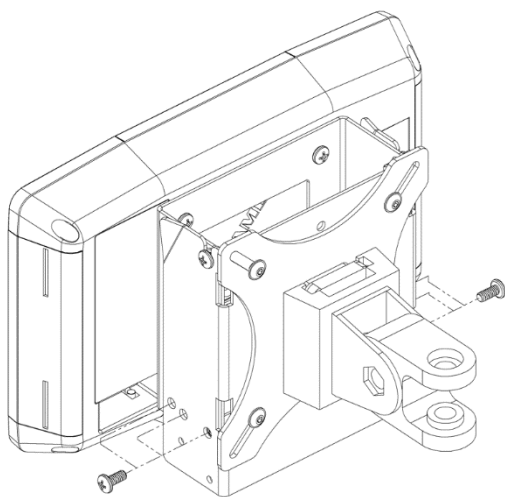


**HOOK THE DEVICE AND FRONT BRACKET TO THE REAR
BRACKET, AS SHOWN**



RE-INSTALL THE 2 BOTTOM BRACKET SCREWS.

3 POSITIONS AVAILABLE: 0 – 10 – 15 DEGREES



Support & Repair Services



AML Technical Support Team

AML technical phone support is toll-free and pain-free. Speak with a US-based AML employee trained to answer your question and do everything possible to resolve any issues that might arise.

877-842-3990 Mon-Fri 8:00 to 5:00 CST

If your Firebird Kiosk is in need of repairs, you may request an RMA number (Return Material Authorization) by calling **877-842-3990**, between 8:00 am and 5:00 pm, (CST) Monday-Friday.

You may also request an RMA number online at:

<https://www.amltd.com/RMA-Request>