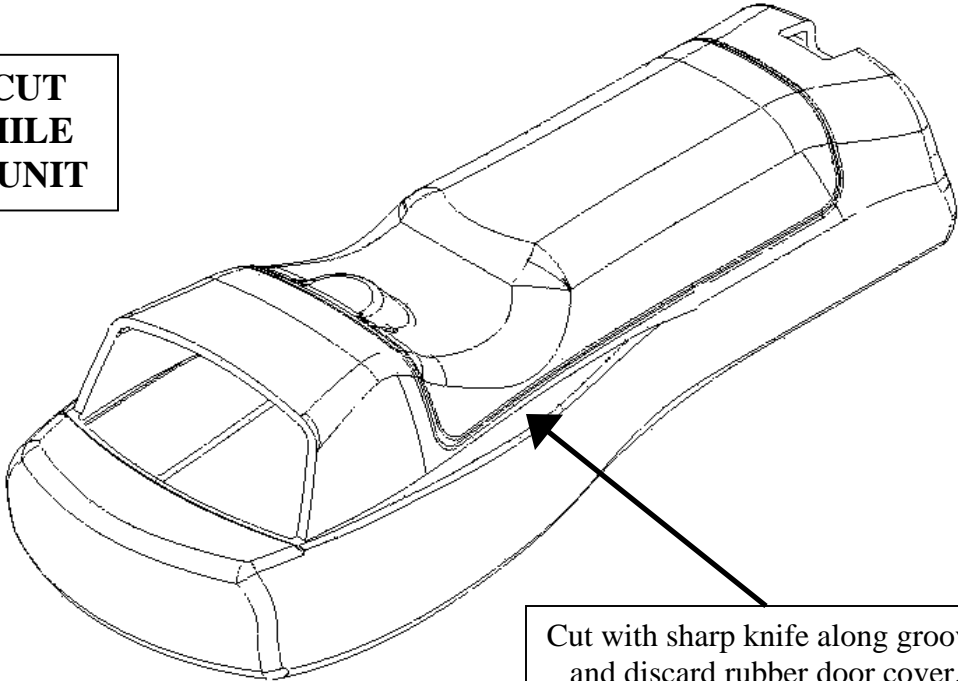


Instructions for Modifying the Protective Rubber Boot

In order to install the optional pistol grip, or for easy access to battery compartment, it is necessary to remove part of the rubber boot.*

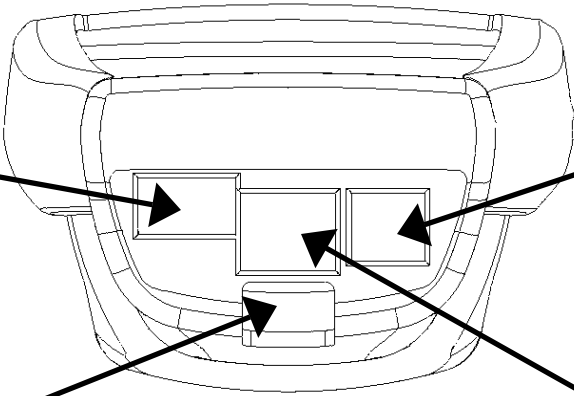
**DO NOT CUT
BOOT WHILE
ON M7100 UNIT**



Cut with sharp knife along groove and discard rubber door cover.

In order to have access to the IrDA, Serial or USB Slave ports, it is necessary to remove part of the rubber boot.*

Cut with sharp knife along groove and discard rubber IrDA port cover.



Cut with sharp knife along groove and discard rubber USB port cover.

Existing hole for M7100 lanyard.

Cut with sharp knife along groove and discard rubber serial port cover.

*Note: Modification to the initial Rubber Boot configuration will reduce the IP54 rating